

H31-161^{Q&As}

HCIE-Carrier IP (Written) V2.0

Pass Huawei H31-161 Exam with 100% Guarantee

Free Download Real Questions & Answers **PDF** and **VCE** file from:

<https://www.pass2lead.com/h31-161.html>

100% Passing Guarantee
100% Money Back Assurance

Following Questions and Answers are all new published by Huawei
Official Exam Center

-  **Instant Download** After Purchase
-  **100% Money Back** Guarantee
-  **365 Days** Free Update
-  **800,000+** Satisfied Customers



QUESTION 1

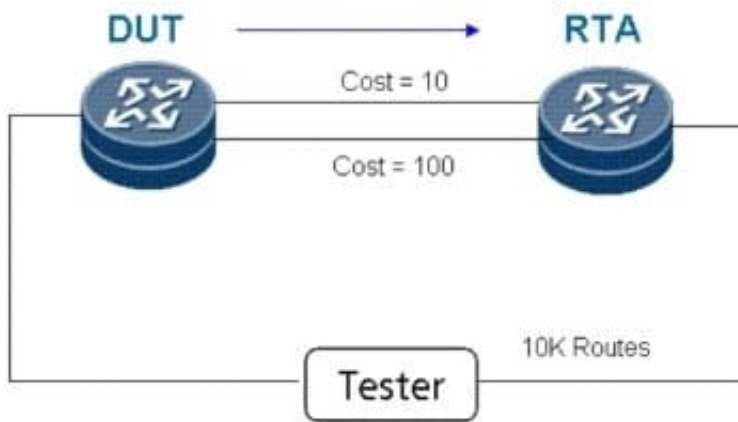
When the multicast source starts to send multicast data and no receiver joins in the RP in PIM-SM, which of the following statements are true?

- A. The RP receives a registration message from the source DR, creates a multicast routing entry (S, G), and sends a register stop message to the source DR.
- B. After the source DR unicasts registration information to the RP, the multicast routing entries (S, G) of all source groups are generated in the RP but the outbound interface is null.
- C. After receiving a registration message, the RP creates the multicast routing entries (*, G) of all source groups and sends a register stop message to the source DR.
- D. After all sources unicast registration information to the RP, no multicast route entries related to source groups are generated due to receiver absence.

Correct Answer: AB

QUESTION 2

Refer to the exhibit.



As shown in the figure, DUT stands for the device under test and RTA is used to support the test. What is the correct procedure of a fast convergence test? ()

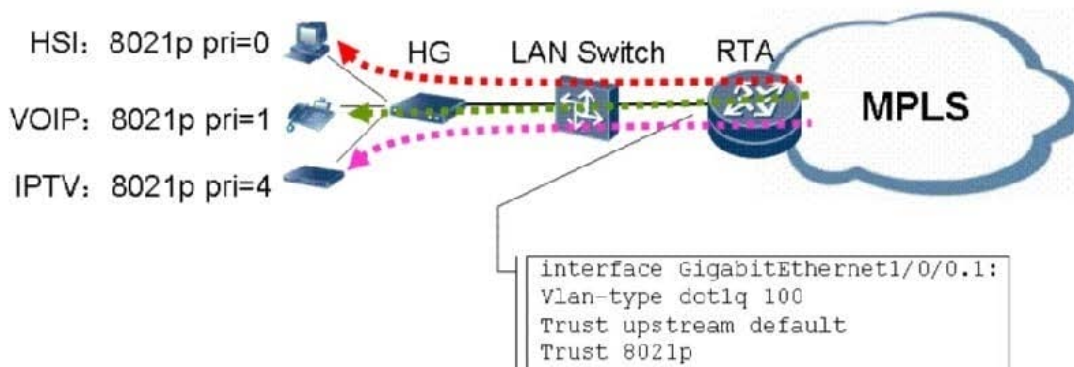
1.
Read data from the tester, record the numbers of sent and received packets, and count the number of lost packets.
2.
Switch the DUT-to-RTA background traffic to the link whose metric value is 100.
3.
DUT-to-RTA background traffic is forwarded along the link whose metric value is 10.

4.
Use the tester to advertise 10K routes to RTA and inject 10K flows to the DUT (each flow takes one route).
 5.
Remove the optical fiber (providing a link whose metric value is 10) from the tester.
 6.
Calculate the convergence time based on the number of lost packets and packet sending rate.
 7.
Stop forwarding traffic when the packet receiving rate is equal to the packet sending rate.
- A. 1, 2, 3, 4, 5, 6, 7
B. 3, 4, 5, 7, 2, 1, 6
C. 4, 3, 5, 2, 7, 1, 6
D. 3 5 4 2 1 6 7

Correct Answer: C

QUESTION 3

RTA is an edge router of the MPLS backbone network. It provides the access service for users under Layer 2 switches and differentiates users by subinterface. User A accesses VLAN 100 and has subscribed to the HSI, VoIP, and IPTV services. According to 802.1p priorities, the value 0 indicates the HSI service, 1 indicates the VoIP service, and 4 indicates the IPTV service. The DiffServ model is deployed in E-LSP mode on the MPLS network, and the STC is configured for subinterfaces on the access side of RTA (the qos phb disable command is not configured). Outgoing traffic on the G1/0/0.1 subinterface involves the HSI, VoIP, and IPTV services on the access side of RTA. Which statement about EXP values corresponding to these three services is true?



- A. Only one EXP value may be contained, and the value is uncertain.
B. Only two EXP values may be contained, and the values are uncertain.
C. At least three EXP values may be contained, and the values are uncertain.

D. The EXP values must be 0, 1, and 4.

Correct Answer: C

QUESTION 4

Which statement about the edge access layer is true?

A. It connects users to the network by providing various access means, and converts the format of information so that the information can be transmitted on the network.

B. Using the packet technology, it provides a comprehensive transport platform that boasts high reliability, quality of service (QoS) assurance, and large capacity.

C. It implements call control. With the softswitch technology as the core, it completes basic realtime call control and connection control.

D. It provides additional value-added services and operation support for established calls

Correct Answer: A

QUESTION 5

As shown in the figure, the mapping between links and administrative groups is as follows:

0x0F for A -> B; 0xFF for B -> C; 0xF0 for A -> C; 0xC3 for B -> D; and 0x3C for C -> D.

It is expected to configure a tunnel (affinity: 0x0C; mask: 0xFF) on node A to connect to RTD. Which path will be created along with the tunnel?

A. A -> C -> D

B. A -> B -> D

C. A -> C -> B -> D

D. A -> B -> C -> D

E. No path will be created.

Correct Answer: D

QUESTION 6

Which of the following is the maximum length of the Ethernet frame encapsulated by QinQ?

A. 1518

B. 1522

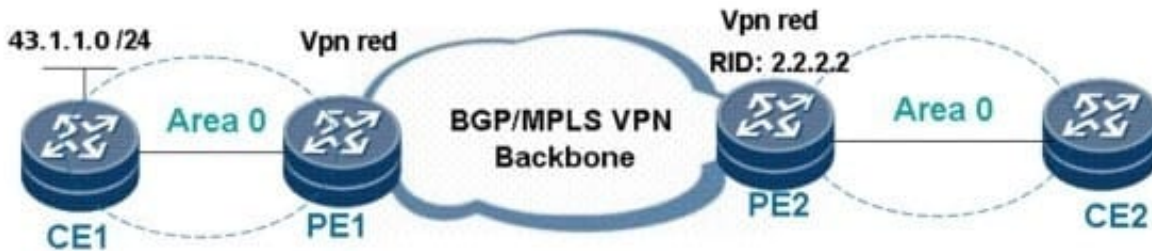
C. 1526

D. 1530

Correct Answer: C

QUESTION 7

Refer to the exhibit.



As shown in the figure, a CE requires access to the Internet, and PE 1 is connected to the Internet gateway. Configurations on PE 1 are as follows: PE 1: # nat address-group 0 175.31.1.3 175.31.1.10 # ip vpn-instance vrf1 route-distinguisher 192.168.1.1:100

```
vpn-target 100:1 export-extcommunity
```

```
vpn-target 100:1 import-extcommunity # acl number 2000 rule 5 permit vpn-instance vrf1 # # interface Serial0/0/1:0 link-protocol ppp ip binding vpn-instance vrf1 ip address 150.1.1.1 255.255.0.0 nat outbound acl 2000 address-group 0 # interface Pos2/1/0 clock master
```

```
link-protocol ppp ip address 175.31.1.1 255.255.0.0 # bgp 100 group ibgp internal peer ibgp connect-interface LoopBack0peer 192.168.1.2 as-number 100 peer 192.168.1.2 group ibgp # ipv4-family unicast undo synchronization peer ibgp enable peer 192.168.1.2 enable peer 192.168.1.2 group ibgp
```

```
# ipv4-family vpnv4 policy vpn-target peer ibgp enable peer 192.168.1.2 enable peer 192.168.1.2 group ibgp # ipv4-family vpn-instance vrf1 default-route imported import-route direct import-route static group nei_vrf1 external peer nei_vrf1 as-number 65004 peer 150.1.1.2 as-number 65004peer 150.1.1.2 group nei_vrf1 # ip route-static vpn-instance vrf1 0.0.0.0 0.0.0.0 175.31.1.2 PE 1 is connected to the Internet gateway
```

through interface 175.31.1.2. CE 1 and CE 2 cannot ping this interface. Which of the following statements are true?

- A. A default route must be configured on CE 1 and CE 2.
- B. A private network route must be configured on the Internet gateway.
- C. The public parameter of a static default route must be configured.
- D. NAT translation must be configured on interface pos2/1/0 instead of interface s0/0/1:0.

Correct Answer: CD

QUESTION 8

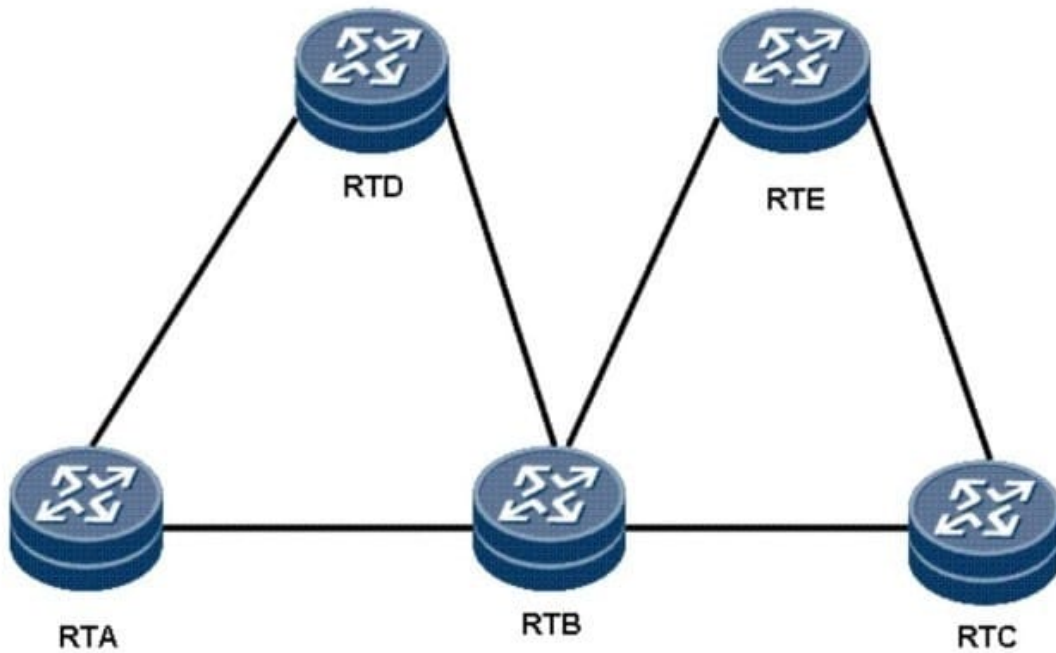
Which statement about primary VPN tunnel binding is false?

- A. Only the data destined for the specific peer device is transmitted through the n-bound primary VPN tunnel Data to other devices is transmitted using the default tunnel policy.
- B. Primary tunnel ensures that data can be transmitted from a VPN t a specific peer device permanently through a dedicate TE tunnel.
- C. Primary VPN tunnel binding means to bind a tunnel to a specific VPN. The bound tunnel is exclusive to the VPN.
- D. The bound primary tunnel can be selected sequentially.

Correct Answer: D

QUESTION 9

As shown in the figure, the primary tunnel uses the path RTA -> RTB -> RTC. There are two FRR paths: One protects the link between RTA and RTB and the other one protects the link between RTB and RTC. If a path in the primary tunnel is faulty, which command can be used on RTA to locate the fault?



- A. display mpls te tunnel path
- B. display mpls te tunnel-interface
- C. display mpls lsp verbose D. display mpls te tunnel verbose

Correct Answer: A

QUESTION 10

Which of the following statements about the MAC address learning in VPLS are true? (ACD)

- A. The PE learns the MAC address of a directly connected CE through the attachment circuit (AC) and learns the MAC

address of a remote CE through the pseudo wire (PW).

B. The PE learns the MAC address of a directly connected CE through the PW and learns the MAC address of a remote CE through the AC.

C. In qualified mode, the PE learns MAC addresses on a per-VLAN basis in each virtual switch instance (VSI). Each user VLAN has its own broadcast domain and independent MAC address space.

D. In unqualified mode, the PE learns MAC addresses on a per-VSI basis and all user VLANs share a broadcast domain and a MAC address space.

Correct Answer: ACD

QUESTION 11

Which of the following statements about the VPLS packet forwarding are true?

A. If a PE receives broadcast packets from a local user, the PE forwards the packets to all other interfaces in the same VSI and all other PEs.

B. If the destination MAC address of a packet is not a broadcast address and a PE has not learned the MAC address, the PE broadcast this packet in one VSI.

C. If the destination MAC address of a packet is not a broadcast address and a PE has not learned the MAC address, the PE broadcast this packet in all VSIs.

D. If a PE receives broadcast packet sent from a remote PE, it forwards the packet only to the AC interface instead of other PEs.

Correct Answer: ACD

QUESTION 12

Which statement about MPLS Echo packets is true?

A. The MPLS Echo request is an ICMP packet.

B. The MPLS Echo request is a UDP packet.

C. The type value of the MPLS Echo request packet is 0.

D. The type value of the MPLS Echo reply packet is 8.

Correct Answer: B

QUESTION 13

Which statement about the MPLS LSP traceroute is true?

A. The destination IP address of an Echo request sent by the LSP traceroute is the IP address of the corresponding FEC.

- B. The downstream mapping TLV is used to carry downstream information of the correct node.
- C. Echo request route sends by the LSP traceroute can carry multiple downstream mapping TLVs.
- D. The egress route sends back an reply packet containing the downstream mapping TLV if the receives Echo request contains the downstream mapping TLV.

Correct Answer: B

QUESTION 14

display igmp group IGMP interface group report information of VPN-Instance: public net Ethernet6/1/1(40.1.1.1): Total 1 IGMP Group reported Group: 232.0.0.1 Uptime: 00:00:22 Expires: off Last reporter: 40.1.1.3 Last-member-query-counter: 0 Last-member-query-timer-expiry: off Group mode: include Version1-host-present-timer-expiry: off Version2-host-present-timer-expiry: off Source list: Source: 20.1.1.56

Uptime: 00:00:22 Expires: 00:05:08 Last-member-query-counter: 3 Last-member-query-timer-expiry: 00:00:01 Source: 20.1.1.57 Uptime: 00:00:22 Expires: 00:00:17 Last-member-query-counter: 3 Last-member-query-timer-expiry: 00:00:01
The preceding information shows the entry states in the IGMP interface table on Ethernet 6/1/1. Which statement is true when IGMP sends source/group query messages?

- A. IGMP sends two messages. In one message, the multicast source is 20.1.1.56 and the S flag is not configured. In the other message, the multicast source is 20.1.1.57 and the S flag is set to 1
- B. IGMP sends two messages. In one message, the multicast source is 20.1.1.56 and the S flag is set to 1. In the other message, the multicast source is 20.1.1.57 and the S flag is not configured.
- C. IGMP sends one message in which the multicast sources are 20.1.1.56 and 20.1.1.57 and the S flag is set to 1.
- D. IGMP sends one message in which the multicast sources are 20.1.1.56 and 20.1.1.57 and the S flag is not configured.

Correct Answer: B

QUESTION 15

In MPLS QoS , traffic policies are developed on simple traffic classified and complex traffic classification policies based on simple traffic classification the service class color, and drop priority of packet are reset based on the packet in the traffic policies on complex traffic classification measures such as traffic classification is applied on border routers in Different domain, and traffic classification core routers. QoS policies are configured by performing the following operations:

Defines DiffSer domain and configuring a traffic policy. Classification traffic Defines traffic behavior and configures characteristics of behaviors. Defines a traffic policy and specifies for traffic categories Applies the traffic policy Configure L-LSP Configures reserve address checks Adds interface to the DiffSer domain

Which of the proceeding operations are required when you configured simple traffic classification?

- A. 1 6 8
- B. 2 3 4 8

C. 1 5 6

D. 2 4 5 7

Correct Answer: B

[H31-161 PDF Dumps](#)

[H31-161 Practice Test](#)

[H31-161 Braindumps](#)